

# APPROVAL SHEET



FHD ELECTRONICS CORPORATION

CUSTOMER NAME : \_\_\_\_\_

COMMODITY : Piezo Transducer

FHD PART NO. : I440220-PC600U-C

CUSTOMER PART NO. : \_\_\_\_\_

Approved by	Y. J.	Prepared by	HY Shen
-------------	-------	-------------	---------

Customer Approval			
Approved		Rejected	

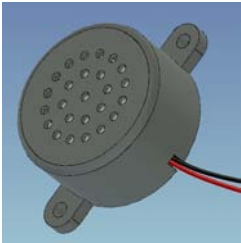
8104 Lynores Way, Plano, TX 75025

Tel: 469-409-2828 Cell: 408-693-5952

Email: [sales@fhdmfg.com](mailto:sales@fhdmfg.com) Website: [www.fhdmfg.com](http://www.fhdmfg.com)



## 1. Technical Parameter

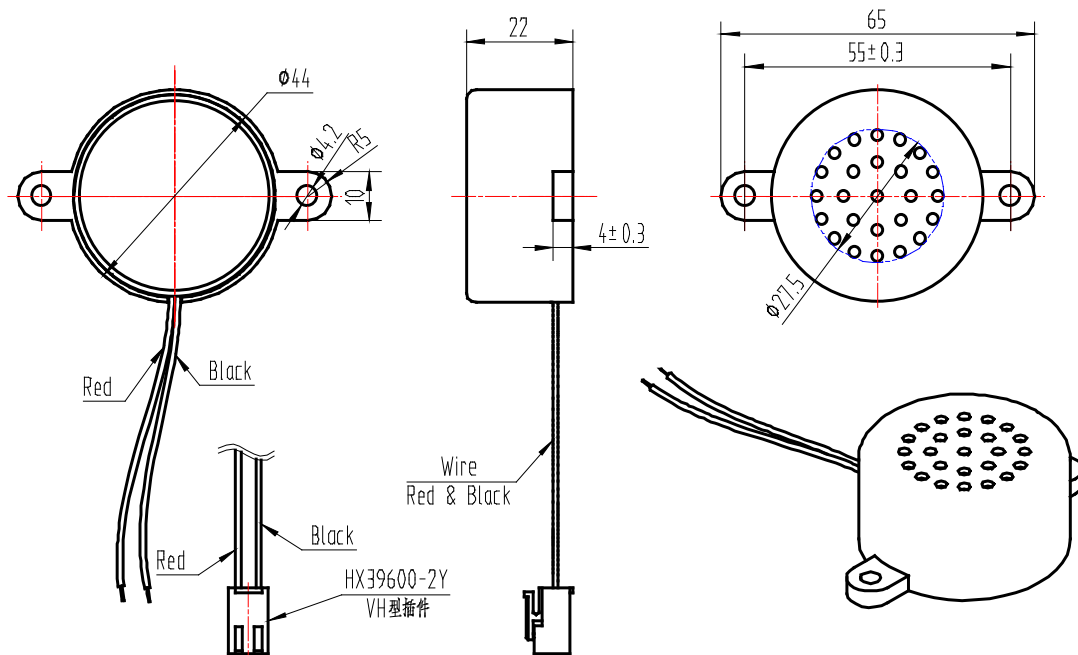


### Measuring condition

Part shall be measured under a condition (Temperature: 5~35°C, Humidity: 45%~85%R.H., Atmospheric pressure: 860 ~ 1060hPa) unless the standard condition (Temperature: 25±3°C, Humidity: 60±10%R.H., Atmospheric pressure: 860 ~ 1060hPa) is regulated to measure.

1	Rated Voltage	10 VDC
2	Operating Voltage	8~15VDC
3	Current Consumption	Peak Max.40mA ,at 10VDC Static Max.15mA,at 10VDC
4	Sound Output at 100cm	Min. 65dB,at 10VDC; Type:73dB
5	Resonant Frequency	600Hz±20%
6	Tone	Td: Maximum intensity of sound duration, 180ms Tr: Rise time, 25ms Tl: Fall time, 25ms One cycle: on 0.23S、 off 0.18S、 on 0.23S、 off 16S
7	Outage Duration	5 Minutes at Capacitor 1F10V (Full capacity when power is off)
8	Cutoff Voltage	4.5VDC±15%
9	Housing Material	Black ABS or PPO
10	Operating Temperature	-20°C ~ +55°C
11	Store Temperature	-30°C ~ +70°C
12	Net Weight	Approx 23g
13	RoHS	Yes

## 2. Dimensions



\*Wire: UL1007 AWG26 red and black

\*Wire Length:  $100 \pm 5$  mm

## 4. Reliability Test

After any following tests the part shall meet specifications without any degradation in appearance and performance except SPL. SPL shall not deviate more than -10 dB from the initial value

### 4.1 Ordinary Temperature Life Test

The part shall be subjected to 96 hours at  $25 \pm 10^\circ\text{C}$ .

Input rated voltage, resonant frequency, 1/2 duty Square wave.

### 4.2 High Temperature Test

The part shall be capable of withstanding a storage temperature of  $+70^\circ\text{C}$  for 96 hours.

### 4.3 Low Temperature Test

The part shall be capable of withstanding a storage temperature of  $-30^\circ\text{C}$  for 96 hours.

### 4.4 Humidity Test

Temperature:  $+40^\circ\text{C} \pm 3^\circ\text{C}$     Relative Humidity: 90%~95%    Duration: 48 hours and expose to room temperature for 6 hours

### 4.5 Temperature Shock Test

Temperature:  $70^\circ\text{C}$  /1hour  $\rightarrow$   $25^\circ\text{C}$  /3hours  $\rightarrow$   $-30^\circ\text{C}$  /1hour  $\rightarrow$   $25^\circ\text{C}$  /3hours (1cycle)

Total cycle: 10 cycles

#### 4.6 Drop Test

Standard Packaging be dropped from height 75cm on 5cm thick hard wood or board, three sides, six plain.)

#### 4.7 Vibration Test

Vibration:1000cycles /min. Amplitude:1.5mm, Duration: 1 hour in each 3 axes

#### Note:

As this product is not protected from foreign material entering, please make sure that any foreign materials (e.g. magnetic powder, washing solvent, flux, corrosive gas) do not enter this product in your production processes. The functional degradation (e.g. SPL down) may occur if foreign materials enter it.

### 3. Packing Information (TBA)

包装要求	泡沫盒，40pcs 一堆；10 堆/箱；400pcs/箱 外箱料号：F6-018； 外箱尺寸 58*31.5*34cm 泡沫盒/盖 料号：F6-750/F6-751	
唛头要求	内盒：	外箱：

