

APPROVAL SHEET



FHD ELECTRONICS CORPORATION

CUSTOMER NAME : _____

COMMODITY : Piezo Transducer

FHD PART NO. : T12255-P4000G-J

CUSTOMER PART NO. : _____

Approved by	Y. J.	Prepared by	HY Shen
-------------	-------	-------------	---------

Customer Approval			
Approved		Rejected	

1525 McCarthy Blvd, Suite 1000,

Milpitas, California 95035

Office: 408 457 9961 Fax: 408 457 7930

Email: sales@fhdmfg.com Website: www.fhdmfg.com

1. Technical Parameter

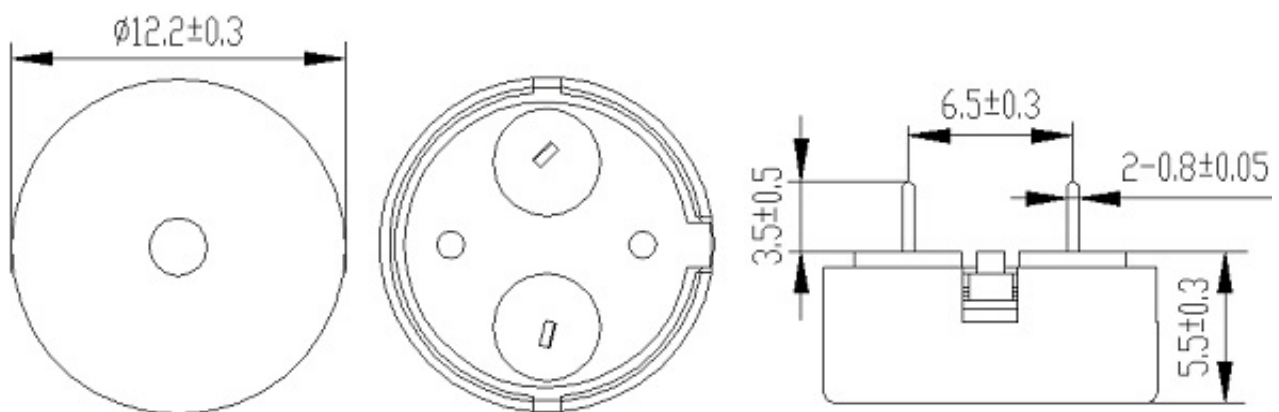


Measuring condition

Part shall be measured under a condition (Temperature: 5~35°C, Humidity: 45%~85%R.H., Atmospheric pressure: 860 ~ 1060hPa) unless the standard condition (Temperature: 25±3°C, Humidity: 60±10%R.H. Atmospheric pressure: 860 ~ 1060hPa) is regulated to measure.

1	Resonant Frequency	4000±500Hz
2	Operating Voltage	1~20Vp-p
3	Rated Current	Max.5mA , at 4KHz 50% duty Square Wave 5Vp-p
4	Sound Output at 10cm	Min. 78dB, at 4KHz 50% duty Square Wave 5Vp-p
5	Capacitance	12000±30%pF at 1KHz
6	Operating Temperature	-20°C ~ +70°C
7	Store Temperature	-30°C ~ +80°C
8	Net Weight	Approx 0.6g
9	RoHS	Yes

2. Dimensions

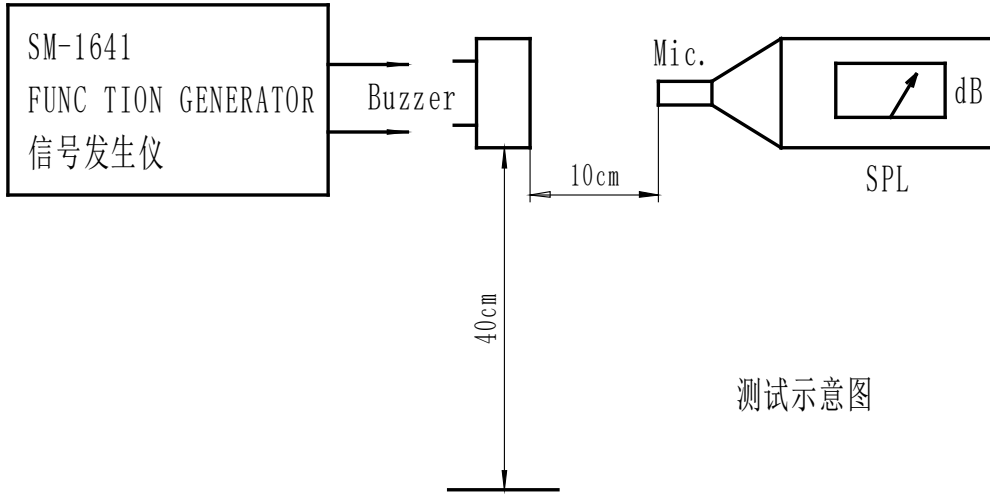


*Unit: mm; Tolerance: ±0.5mm Except Specified

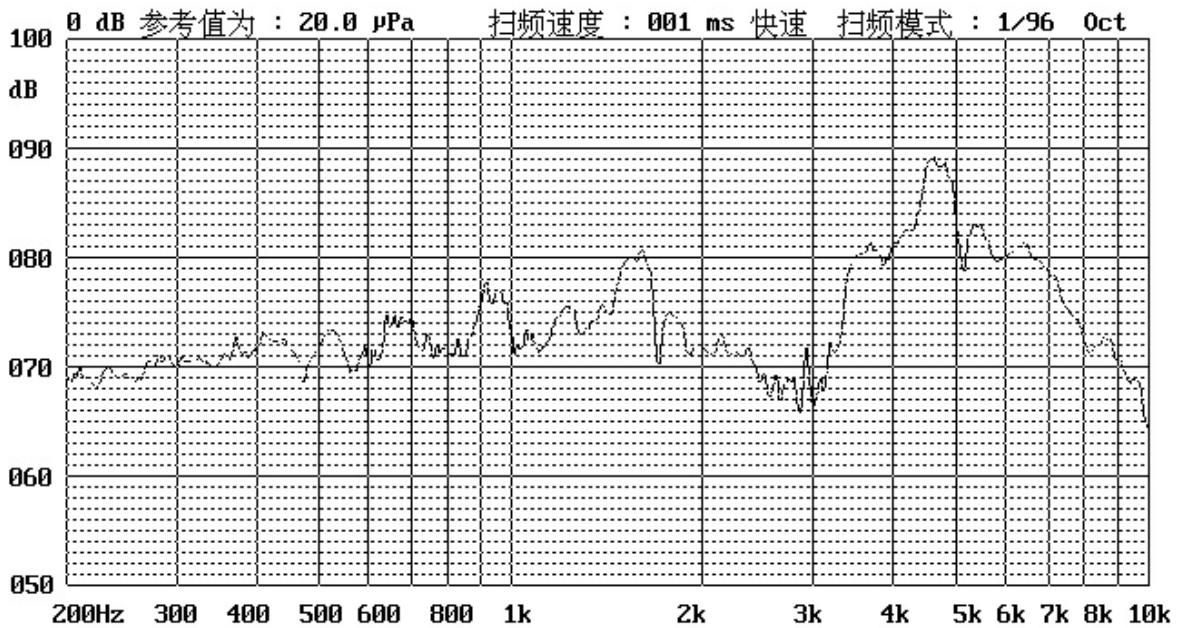
*Housing Material: Black PBT

3. Electrical And Acoustical Measuring Condition

Recommended Setting



4. Frequency Response



5Vp-p 50% duty Square wave, 10cm

5. Reliability Test

After any following tests the part shall meet specifications without any degradation in appearance and performance except SPL. SPL shall not deviate more than -5 dB from the initial value

5.1. Ordinary Temperature Life Test

The part shall be subjected to 96 hours at $25\pm 10^{\circ}\text{C}$. Input rated voltage
Resonant frequency, 1/2 duty Square wave.

5.2. High Temperature Test

The part shall be capable of withstanding a storage temperature of $+80^{\circ}\text{C}$ for 96 hours.

5.3. Low Temperature Test

The part shall be capable of withstanding a storage temperature of -30°C for 96 hours.

5.4. Humidity Test

Temperature: $+40^{\circ}\text{C}\pm 3^{\circ}\text{C}$ Relative Humidity: 90%~95% Duration: 48 hours and expose to temperature for 6 hours

5.5. Temperature Shock Test

Temperature: 70°C /1hour \rightarrow 25°C /3hours \rightarrow -20°C /1hour \rightarrow 25°C /3hours (1 cycle)
Total cycle: 10 cycles

5.6. Drop Test

Standard Packaging From 75cm (Drop on hard wood or board of 5cm thick, three sides, six plain.)

5.7. Vibration Test

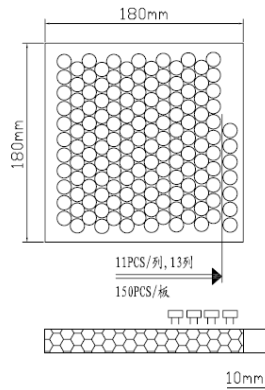
Vibration: 1000cycles /min. Amplitude: 1.5mm, Duration: 1 hour in each 3 axes

Note:

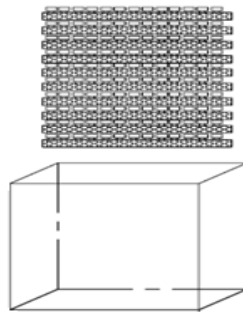
As this product is not protected from foreign material entering, please make sure that any foreign materials (e.g. magnetic powder, washing solvent, flux, corrosive gas) do not enter this product in your production processes. The functional degradation (e.g. SPL down) may occur if foreign materials enter it.

6. Packing Information

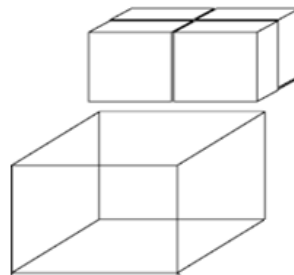
包装要求	1.泡沫板 200PCS/板 料号：F6-703 2.内盒 2000PCS/盒(10板/盒) 料号：F6-057/F6-058 3.外箱 8000PCS/箱 外箱40.5*40*19.5 4堆装 料号：F6-022 备注：每一盒放10板，上面再放一张空泡沫板	
唛头要求		



200PCS/板 泡沫板



内盒 2000PCS/盒



8000PCS/Carton