

# APPROVAL SHEET



## FHD ELECTRONICS CORPORATION

CUSTOMER NAME : \_\_\_\_\_

COMMODITY : Piezo Transducer

FHD PART NO. : T12670-P4000A-J

CUSTOMER PART NO. : \_\_\_\_\_

Approved by	Y. J.	Prepared by	HY Shen
-------------	-------	-------------	---------

Customer Approval			
Approved		Rejected	

8104 Lynores Way, Plano, TX 75025

Tel: 469-409-2828 Cell: 408-693-5952

Email: [sales@fhdmfg.com](mailto:sales@fhdmfg.com) Website: [www.fhdmfg.com](http://www.fhdmfg.com)



## 1. Technical Parameter

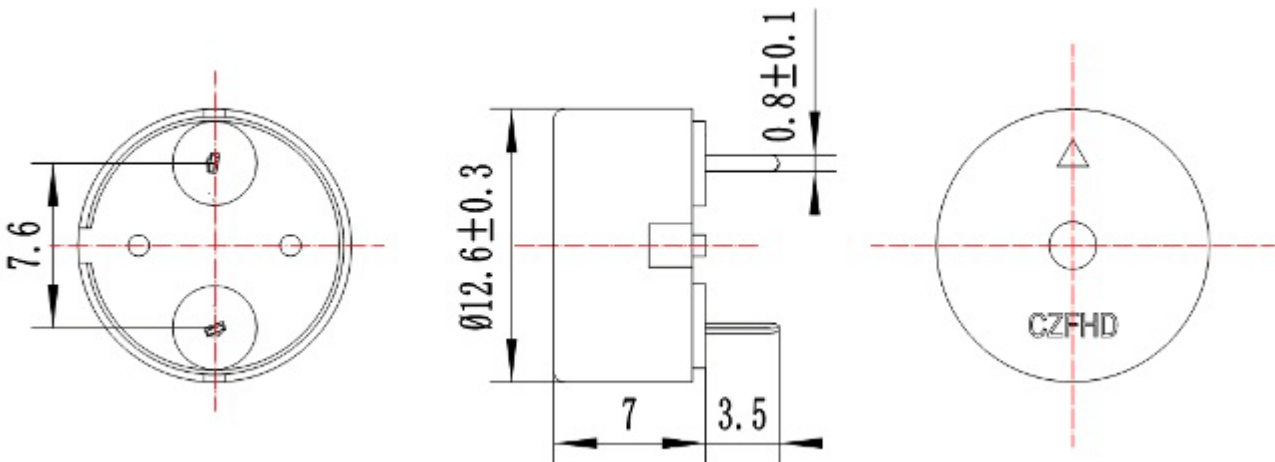


### Measuring condition

Part shall be measured under a condition (Temperature: 5~35°C, Humidity: 45%~85%R.H., Atmospheric pressure: 860 ~ 1060hPa) unless the standard condition (Temperature: 25±3°C, Humidity: 60±10%R.H. Atmospheric pressure: 860 ~ 1060hPa) is regulated to measure.

1	<b>Resonant Frequency</b>	4000±500Hz
2	<b>Operating Voltage</b>	3~30Vp-p
3	<b>Rated Current</b>	Max.10mA , at 4KHz 50% duty Square Wave 12Vp-p
4	<b>Sound Output at 10cm</b>	Min. 80dB, at 4KHz 50% duty Square Wave 12Vp-p
5	<b>Capacitance</b>	12000±40%pF at 1KHz
6	<b>Operating Temperature</b>	-20°C ~ +70°C
7	<b>Store Temperature</b>	-40°C ~ +85°C
8	<b>Net Weight</b>	Approx 0.7g
9	<b>RoHS</b>	Yes

## 2. Dimensions

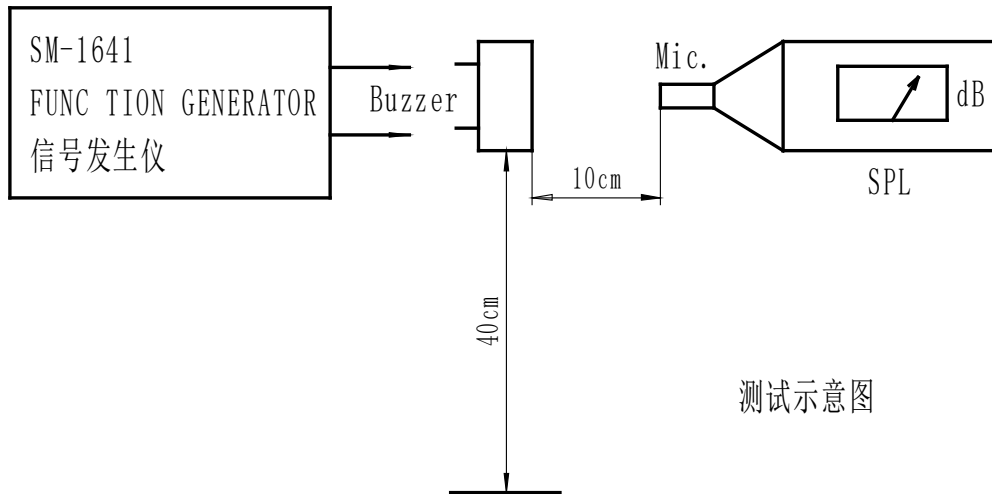


\*Unit: mm; Tolerance: ±0.5mm Except Specified

\*Housing Material: Black PBT

### 3. Electrical And Acoustical Measuring Condition

#### Recommended Setting



### 4. Frequency Response



12Vp-p 50% duty Square wave, 10cm

## 5. Reliability Test

After any following tests the part shall meet specifications without any degradation in appearance and performance except SPL. SPL shall not deviate more than -5 dB from the initial value

### 5.1. Ordinary Temperature Life Test

The part shall be subjected to 96 hours at  $25\pm 10^{\circ}\text{C}$ . Input rated voltage  
Resonant frequency, 1/2 duty Square wave.

### 5.2. High Temperature Test

The part shall be capable of withstanding a storage temperature of  $+85^{\circ}\text{C}$  for 96 hours.

### 5.3. Low Temperature Test

The part shall be capable of withstanding a storage temperature of  $-40^{\circ}\text{C}$  for 96 hours.

### 5.4. Humidity Test

Temperature:  $+40^{\circ}\text{C}\pm 3^{\circ}\text{C}$  Relative Humidity: 90%~95% Duration: 48 hours and expose to temperature for 6 hours

### 5.5. Temperature Shock Test

Temperature:  $70^{\circ}\text{C}$  /1hour  $\rightarrow$   $25^{\circ}\text{C}$  /3hours  $\rightarrow$   $-20^{\circ}\text{C}$  /1hour  $\rightarrow$   $25^{\circ}\text{C}$  /3hours (1cycle)  
Total cycle: 10 cycles

### 5.6. Drop Test

Standard Packaging From 75cm (Drop on hard wood or board of 5cm thick, three sides, six plain.)

### 5.7. Vibration Test

Vibration: 1000cycles /min. Amplitude: 1.5mm, Duration: 1 hour in each 3 axes

## Note:

As this product is not protected from foreign material entering, please make sure that any foreign materials (e.g. magnetic powder, washing solvent, flux, corrosive gas) do not enter this product in your production processes. The functional degradation (e.g. SPL down) may occur if foreign materials enter it.

## 6. Packing Information

1. 泡沫板 150PCS/板 料号：F6-700
2. 内盒 1500PCS/盒 料号：F6-057/058
3. 外箱 外箱 40.5\*40\*19.5
4. 堆装 料号：F6-022

