

APPROVAL SHEET



FHD ELECTRONICS CORPORATION

CUSTOMER NAME : _____

COMMODITY : Piezo Transducer

FHD PART NO. : T23395-P3200A-P

CUSTOMER PART NO. : _____

Approved by	Y. J.	Prepared by	HY Shen
-------------	-------	-------------	---------

Customer Approval			
Approved		Rejected	

8104 Lynores Way, Plano, TX 75025

Tel: [469-409-2828](tel:469-409-2828) Cell: [408-693-5952](tel:408-693-5952)

Email: sales@fhdmfg.com Website: www.fhdmfg.com

1. Technical Parameter

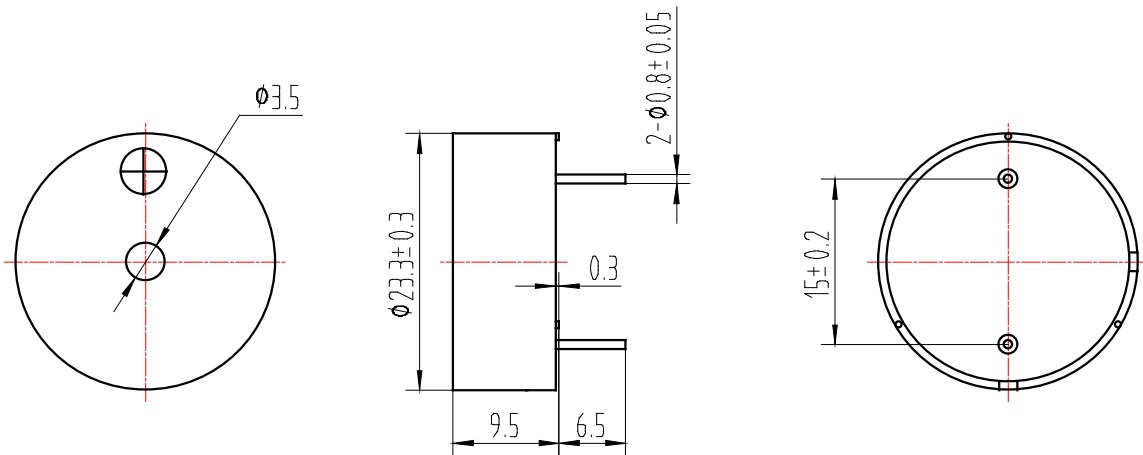


Measuring condition

Part shall be measured under a condition (Temperature: 5~35°C, Humidity: 45%~85%R.H., Atmospheric pressure: 860 ~1060hPa) unless the standard condition (Temperature: 25±3°C, Humidity: 60±10%R.H. Atmospheric pressure: 860 ~1060hPa) is regulated to measure.

1	Resonant Frequency	3200Hz ± 500Hz
2	Operating Voltage	1~25Vp-p
3	Rated Current	Max.5mA ,at 3.2KHz 50% duty Square Wave 12Vp-p
4	Sound Output at 10cm	Min. 80dB,at 3.2KHz 50% duty Square Wave 12Vp-p
5	Capacitance	25 ± 30% nF at 1KHz
6	Operating Temperature	-20°C ~+70°C
7	Store Temperature	-30°C ~+80°C
8	Net Weight	Approx 2.7g
9	RoHS	Yes

2. Dimensions

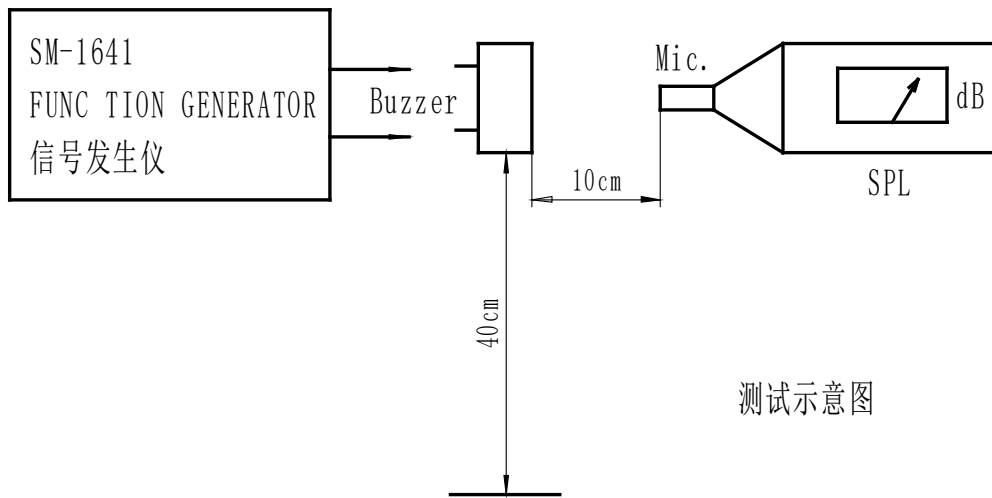


*Unit: mm; Tolerance: ± 0.5mm Except Specified

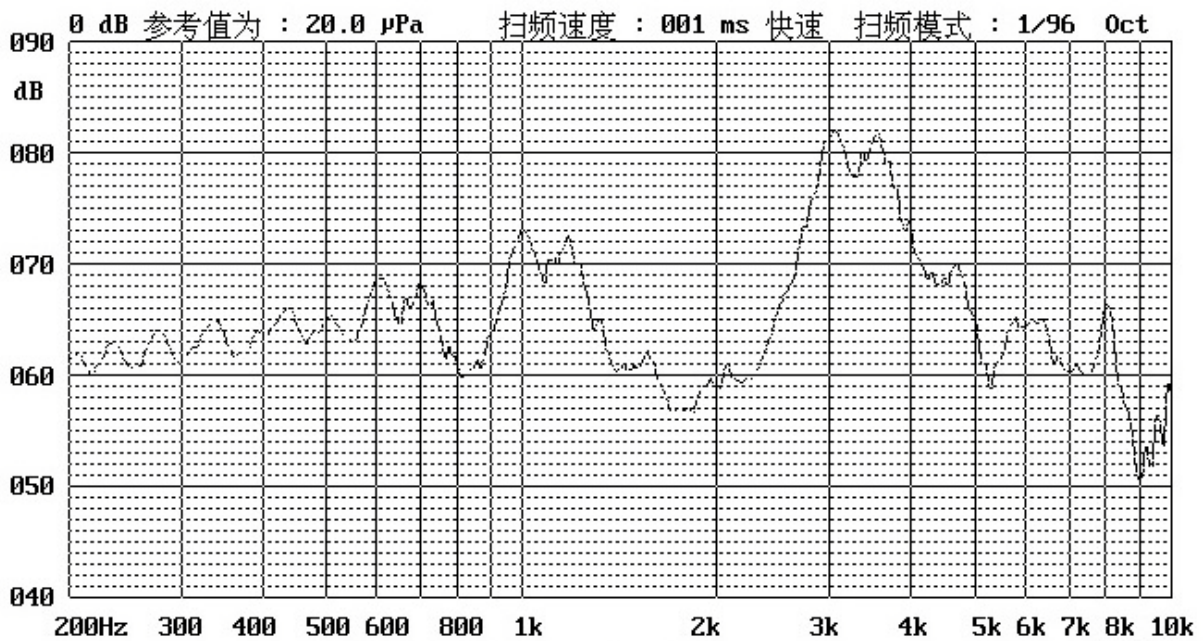
*Housing material: black PPO

3. Electrical And Acoustical Measuring Condition

Recommended Setting



4. Frequency Response



12Vp 50% duty square wave, 10cm

5. Reliability Test

After any following tests the part shall meet specifications without any degradation in appearance and performance except SPL. SPL shall not deviate more than -5 dB from the initial value

5.1. Ordinary Temperature Life Test

The part shall be subjected to 96 hours at $25\pm 10^{\circ}\text{C}$. Input rated voltage, resonant frequency, 1/2 duty Square wave.

5.2. High Temperature Test

The part shall be capable of withstanding a storage temperature of $+80^{\circ}\text{C}$ for 96 hours.

5.3. Low Temperature Test

The part shall be capable of with standing a storage temperature of -30°C for 96 hours.

5.4. Humidity Test

Temperature: $+40^{\circ}\text{C}\pm 3^{\circ}\text{C}$ Relative Humidity: 90% ~ 95% Duration: 48 hours and expose to room temperature for 6 hours

5.5. Temperature Shock Test

Temperature: 60°C /1hour \rightarrow 25°C /3hours \rightarrow -20°C /1hour \rightarrow 25°C /3hours (1 cycle)

Total cycle: 10 cycles

5.6. Drop Test

Standard Packaging From 75cm (Drop on hard wood or board of 5cm thick, three sides, six plain.)

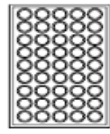
5.7. Vibration Test

Vibration: 1000cycles /min. Amplitude: 1.5mm, Duration: 1 hour in each 3 axes

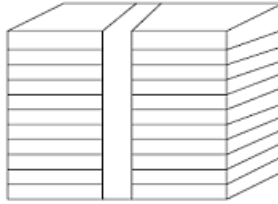
Note:

As this product is not protected from foreign material entering, please make sure that any foreign materials (e.g. magnetic powder, washing solvent, flux, corrosive gas) do not enter this product in your production processes. The functional degradation (e.g. SPL down) may occur if foreign materials enter it.

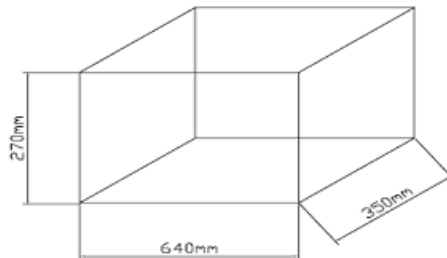
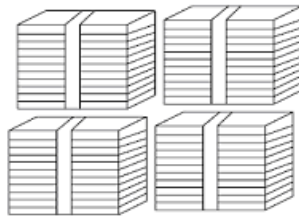
6. PACKING INFORMATION



50PCS/泡沫盒
长: 320mm
宽: 170mm
高: 27mm



500PCS/幢
长: 320mm
宽: 170mm
高: 240mm



2000PCS/箱
(四盒)