

APPROVAL SHEET



FHD ELECTRONICS CORPORATION

CUSTOMER NAME : _____
COMMODITY : MAGNETIC TRANSDUCER
FHD PART NO. : T858540-M4000G-SH
CUSTOMER PART NO. : _____

Approved by	Y. J.	Prepared by	Vivian Shen
-------------	-------	-------------	-------------

Customer Approval			
Approved		Rejected	

1525 McCarthy Blvd, Suite 1000,
Milpitas, California 95035
Office: 408 457 9961 Fax: 408 457 7930
Email: sales@fhdmfg.com Website: www.fhdmfg.com

A. PART NO.: T858540-M4000G-SH

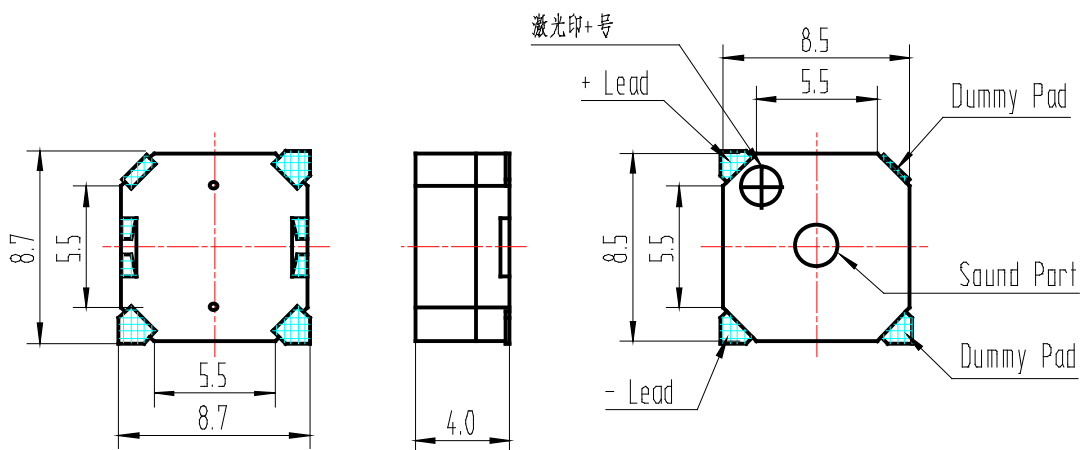
B. SPECIFICATION

Measuring condition

Part shall be measured under a condition (Temperature: 5~35°C, Humidity: 45%~85%R.H., Atmospheric pressure: 860~1060hPa) unless the standard condition (Temperature: 25±3°C, Humidity: 60±10%R.H. Atmospheric pressure: 860~1060hPa) is regulated to measure.

No.	Item	Unit	Specification	Condition
1	Oscillation Frequency	Hz	4000	square wave
2	Operating Voltage	Vo-p	4 ~ 6	
3	Rated Voltage	Vo-p	5	
4	Coil Resistance	Ω	16±3	
5	Current Consumption	mA	MAX. 100	At 4000Hz 50% duty Square Wave 5Vo-p
6	Sound Pressure Level	dB	MIN. 100	At 4000Hz 50% duty Square Wave 5Vo-p @ 10cm
7	Operating Temperature	°C	-20 ~ +70	
8	Storage Temperature	°C	-40 ~ +85	
9	Dimension	mm	8.5x8.5x4.0	See appearance drawing
10	Weight (MAX)	gram	0.4	
11	Housing Material		LCP (Black)	
12	Connection		SMD (Tin Plated Brass)	See appearance drawing
13	Environmental Protection Regulation		RoHS	

C. APPEARANCE DRAWING



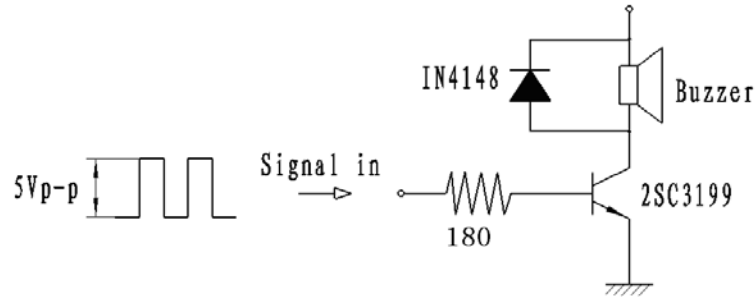
Tolerance: ± 0.3mm Except Specified
Terminal plate: 3 soldering pads, Tin Plating Brass

D. ELECTRICAL AND ACOUSTICAL MEASURING CONDITION

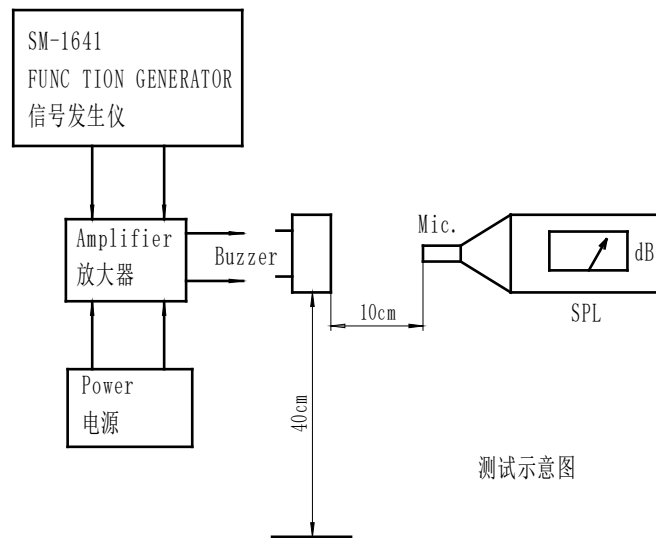
Recommended Driving Circuit:

Resonant frequency, 1/2 duty cycle. Square Wave.

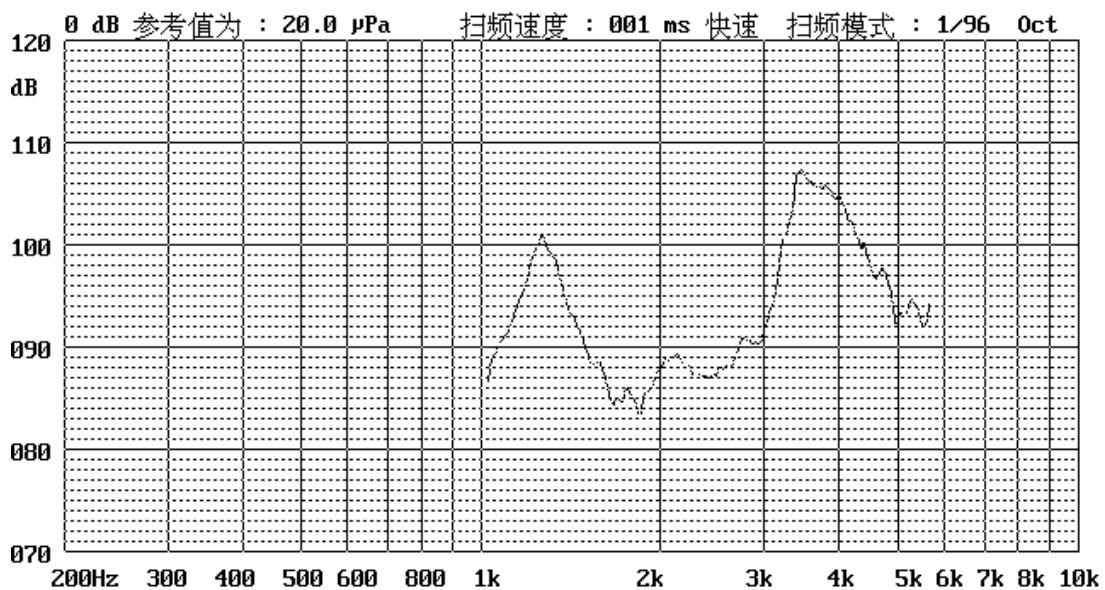
Signal amplitude should be large enough to saturate the transistor.



Recommended Setting:



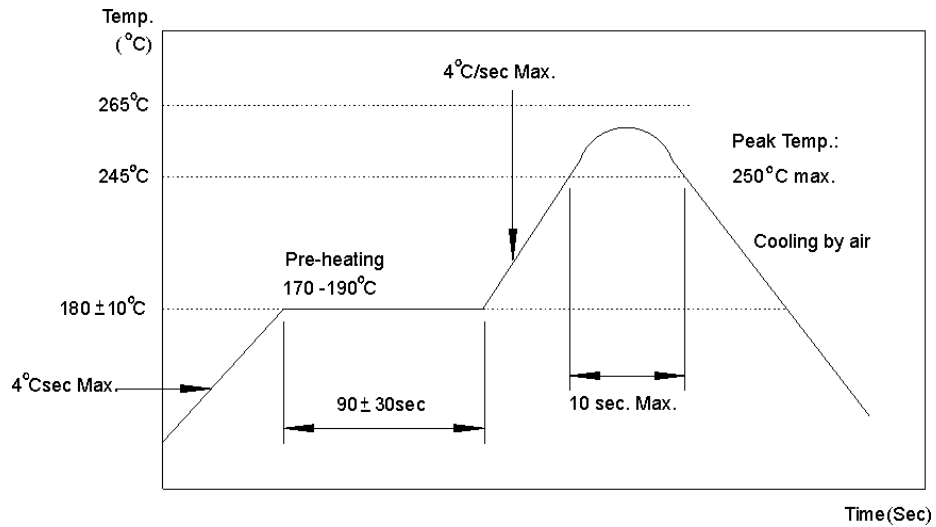
E. TYPICAL FREQUENCY RESPONSE CURVE



5.0Vo-p 50% duty square wave, 10cm

F. SURFACE MOUNTING CONDITION

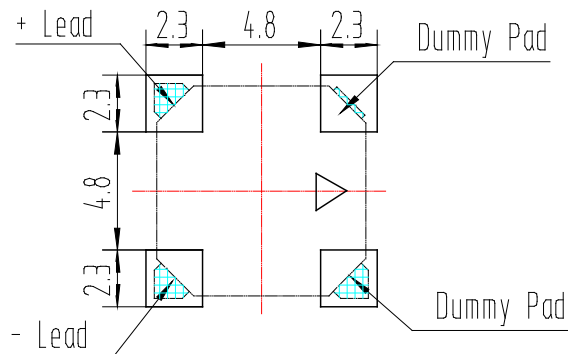
1. Recommendable reflow soldering condition is as follows



Note: (1) In automated mounting of the SMD sound transducers on PCB, any bending, expanding and pulling forces or shocks against the SMD sound transducers shall be kept minimum to prevent them from electrical failures and mechanical damages of the devices.

(2) In the reflow soldering, too high soldering temperatures and too large temperature gradient such as rapid heating or cooling may cause electrical failures and mechanical damages of the devices.

2. Soldering Pattern



G. LOT NUMBER NOMINATION

XX X X

- The number of orders in the same month. 10Kpcs/batch is the maximum quantity.
A: Jan. B: Feb C: Mar. D: Apr. E: May F: Jun.
G: Jul. H: Aug. I: Sept. J: Oct. K: Nov. L: Dec.
- Year

H. RELIABILITY TEST

After any following tests the part shall meet specifications without any degradation in appearance and performance except SPL. SPL shall not deviate more than -10 Db from the initial value

1. Ordinary Temperature Life Test

The part shall be subjected to 96 hours at $25\pm 10^{\circ}\text{C}$. Input rated voltage Resonant frequency, 1/2 duty Square wave.

2. High Temperature Test

The part shall be capable of withstanding a storage temperature of $+85^{\circ}\text{C}$ for 96 hours.

3. Low Temperature Test

The part shall be capable of withstanding a storage temperature of -40°C for 96 hours.

4. Humidity Test

Temperature: $+40^{\circ}\text{C}\pm 3^{\circ}\text{C}$ Relative Humidity: 90%~95% Duration: 48 hours and expose to room temperature for 6 hours

5. Temperature Shock Test

Temperature: 60°C /1hour \rightarrow 25°C /3hours \rightarrow -20°C /1hour \rightarrow 25°C /3hours (1 cycle)

Total cycle: 10 cycles

6. Drop Test

Standard Packaging From 75cm(Drop on hard wood or board of 5cm thick, three sides, six plain.)

7. Vibration Test

Vibration: 1000cycles /min. Amplitude: 1.5mm, Duration: 1 hour in each 3 axes

8. Reflow Test

Use recommendable reflow soldering condition (as shown in G.1)

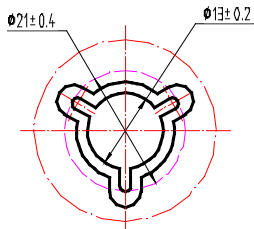
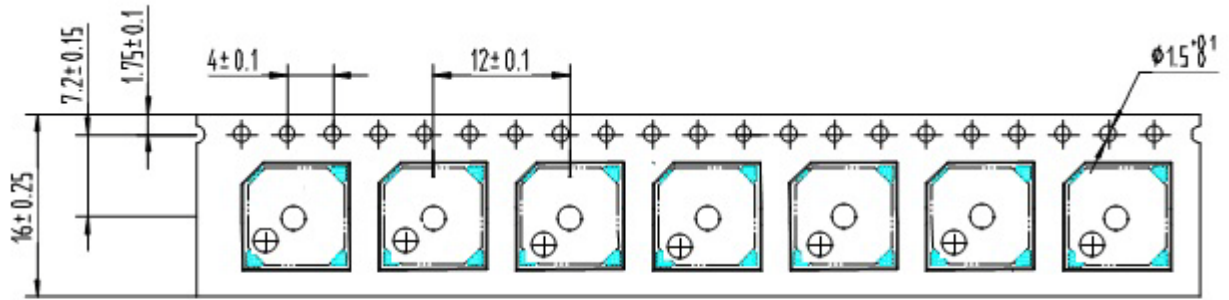
(1) No abnormality should be found after reflow

(2) Good soldering to meet soldering requirements

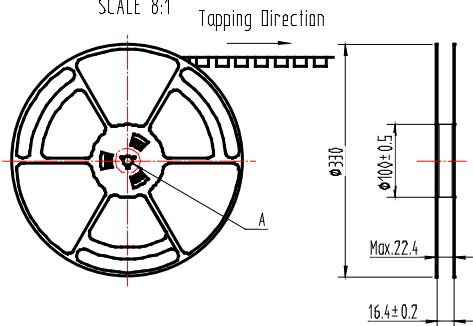
Note:

As this product is not protected from foreign material entering, please make sure that any foreign materials (e.g. magnetic powder, washing solvent, flux, corrosive gas) do not enter this product in your production processes. The functional degradation (e.g. SPL down) may occur if foreign materials enter it.

I. PACKING INFORMATION

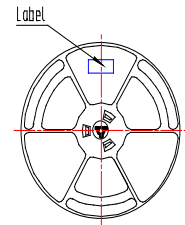


DETAIL: A
SCALE: 8:1

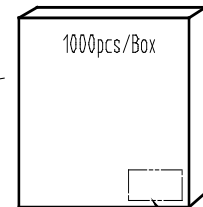
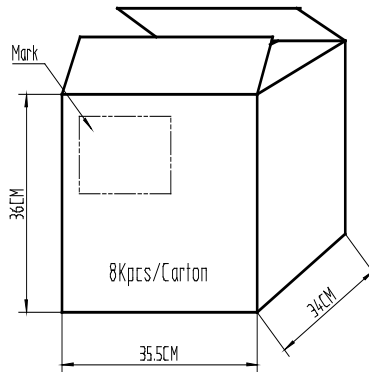


Label

P/N:
Model No.:
Qty.: 1000pcs
Lot No.: XXXX



Inside box



1 Reel/Inside box
(34*34*3.2 CM)

Label content